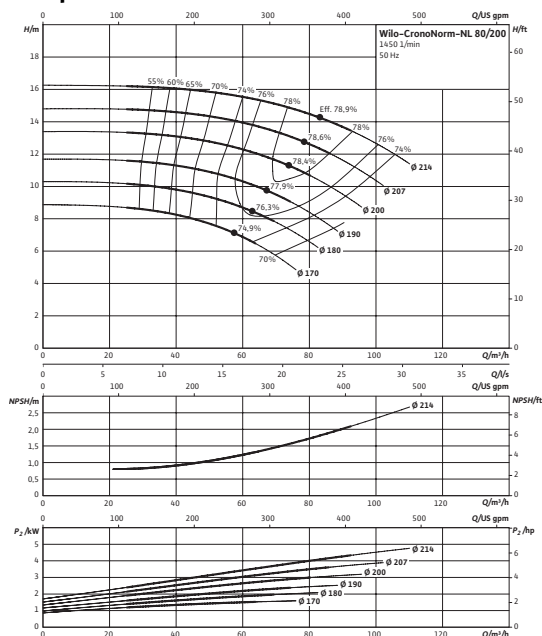


## Data sheet: Wilo-CronoNorm-NL 80/200-4/4

### Pump curves



APPLIES TO EUROPEAN DIRECTIVE FOR ENERGY RELATED PRODUCTS

### Approved fluids (other fluids on request)

Heating water (in accordance with VDI 2035)	•
Water-glycol mixtures (for 20–40 vol.% glycol and fluid temperature ≤ 40 °C)	(from 10 vol.% glycol: Performance check required; up to 50% glycol: mechanical seal on request)
Cooling and cold water	•

### Permitted field of application

Standard version for operating pressure	$P_{max}$	16 bar
Temperature range at max. ambient temperature +40 °C		-20...+120 °C (version with mechanical seal) -20...+105 °C (version with stuffing box packing)
Max. ambient temperature		+40 °C
Installation in closed buildings		•

### Pipe connections

Flange nominal diameter (on the suction side)	DN 100
Flange nominal diameter (on the pressure side)	DN 80

### Materials

Pump housing	EN-GJL-250
Lantern	EN-GJL-250
Impeller	EN-GJL-250
Pump shaft	X30Cr13
Mechanical seal	AQ1IEGG

### Minimum Efficiency Index (MEI)

Minimum Efficiency Index (MEI)	≥ 0.4
--------------------------------	-------

### Motor/electronics

Protection class	IP 55	
Insulation class	F	
Motor size	112M MG	
No. of poles	4	
Nominal motor power	$P_2$	4.0 kW
Rated current (approx.)	$I_N$ 3~40 0 V	8.4 A
Power factor	$\cos \varphi$	0.79

Data sheet: Wilo-CronoNorm-NL 80/200-4/4

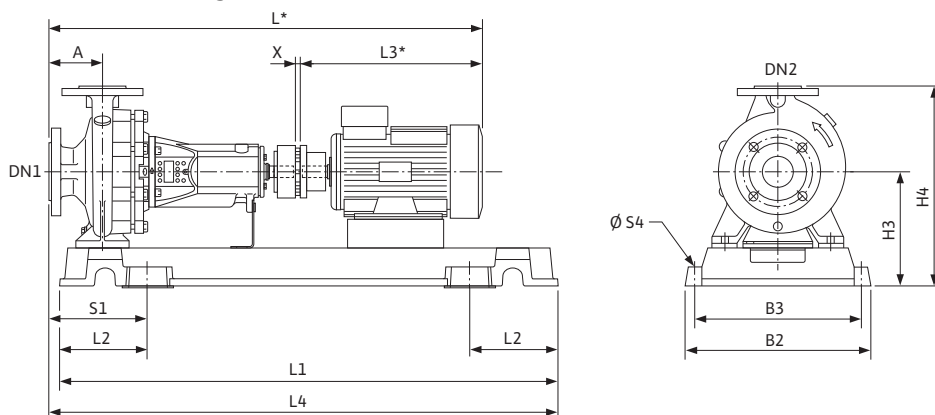
Motor efficiency	$\eta_m$ 100%	86.6 %
Motor efficiency	$\eta_m$ 75%	86.4 %
Motor efficiency	$\eta_m$ 50%	84.1 %

Information for order placements

Make	Wilo	
Art no.	4109248	
Type	CronoNorm-NL 80/200	
Weight approx.	<i>m</i>	214 kg

## Dimensions and dimension drawings: Wilo-CronoNorm-NL 80/200-4/4

### Dimension drawing

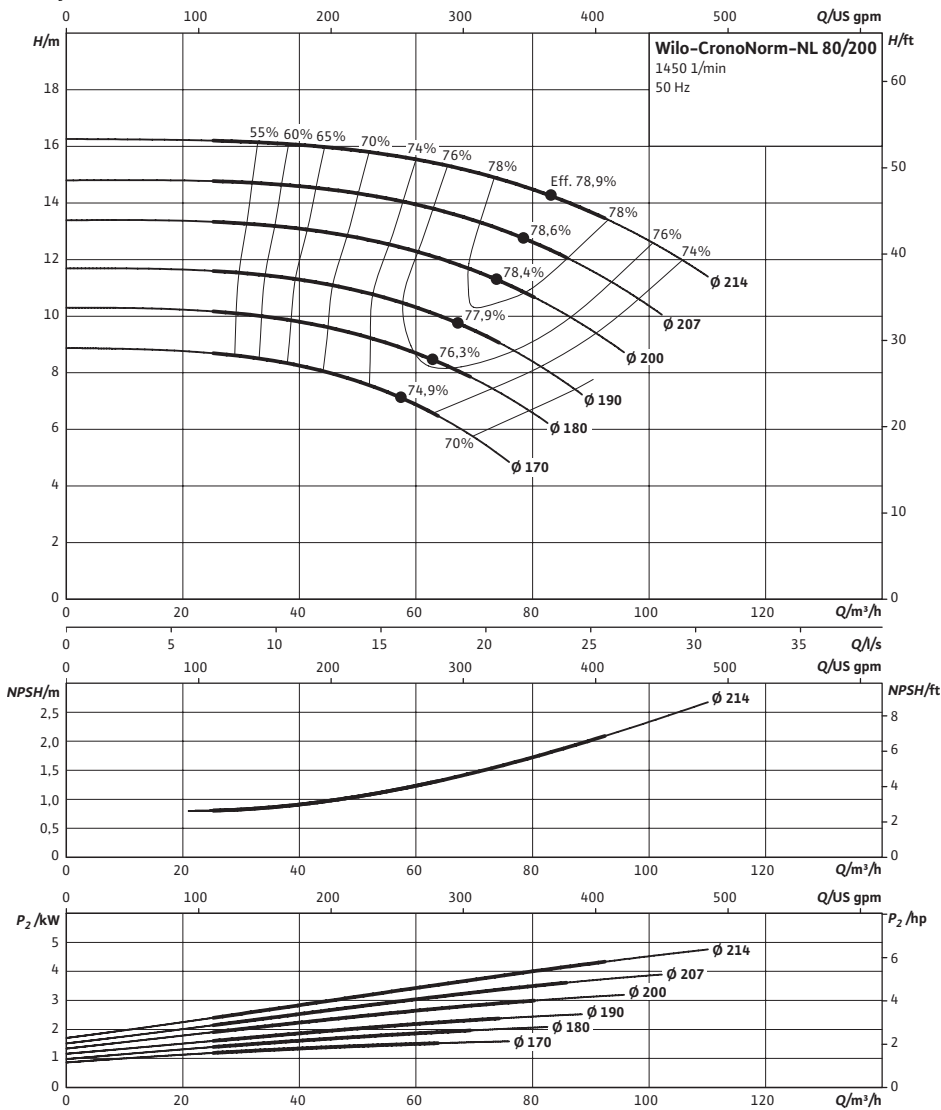


The length and width of the base block should be approximately 15 to 20 cm longer than the outer dimensions of the baseplate of the pump unit; dimension L\*, L3 depends on motor version

Nominal diameter	<i>D</i>	100
	<i>N</i>	1
Nominal diameter	<i>D</i>	80
	<i>N</i>	2
Dimensions	<i>A</i>	125 mm
Dimensions	<i>B2</i>	490 mm
Dimensions	<i>B3</i>	440 mm
Dimensions	<i>H</i>	283 mm
	<i>3</i>	
Dimensions	<i>H</i>	533 mm
	<i>4</i>	
Dimensions	<i>L</i>	991 mm
Dimensions	<i>L1</i>	1150 mm
Dimensions	<i>L2</i>	205 mm
Dimensions	<i>L3</i>	396 mm
Dimensions	<i>L4</i>	1188 mm
Dimensions	<i>S1</i>	242 mm
Dimensions	$\varnothing$	24 mm
	<i>S4</i>	
Dimensions	<i>X</i>	3 mm

## Pump curves: Wilo-CronoNorm-NL 80/200-4/4

### Pump curves



## Specification texts: Wilo-CronoNorm-NL 80/200-4/4

Single-stage centrifugal pump as baseplate pump in accordance with EN 733, with axial suction ports and radial pressure ports for installation on a base. Pump with supporting foot and flanged bearing bracket, elastic coupling/spacer coupling (extra charge), coupling guard and motor mounted to same baseplate.

IEC motor with 3 PTC thermistor sensors. Shaft sealing via non-cooled mechanical shaft seal up to max. 120 °C. Grey cast iron housing, stainless steel shaft, grey cast iron impeller (bronze impeller available at extra charge).

### Materials

Pump housing: EN-GJL-250

Lantern: EN-GJL-250

Impeller: EN-GJL-250

Pump shaft: X30Cr13

Mechanical seal: AQ1EGG

### Permitted field of application

Standard version for operating pressure: 16 bar

Temperature range at max. ambient temperature +40 °C: -20...+120 °C (version with mechanical seal)

-20...+105 °C (version with stuffing box packing)

Max. ambient temperature: +40 °C

Installation in closed buildings: •

### Pipe connections

Flange nominal diameter (on the suction side): DN 100

Flange nominal diameter (on the pressure side): DN 80

### Minimum Efficiency Index (MEI)

Minimum Efficiency Index (MEI):  $\geq 0.4$

### Motor/electronics

Protection class: IP 55

Insulation class: F

Motor size: 112M MG

No. of poles: 4

Nominal motor power: 4.0 kW

Rated current (approx.): 8.4 A

Power factor: 0.79

Motor efficiency: 86.6 %

Motor efficiency: 86.4 %

Motor efficiency: 84.1 %

### Weight

Weight approx.: 214 kg

### Information for order placements

**Specification texts: Wilo-CronoNorm-NL 80/200-4/4**

Type: CronoNorm-NL 80/200

Art no.: 4109248

Make: Wilo